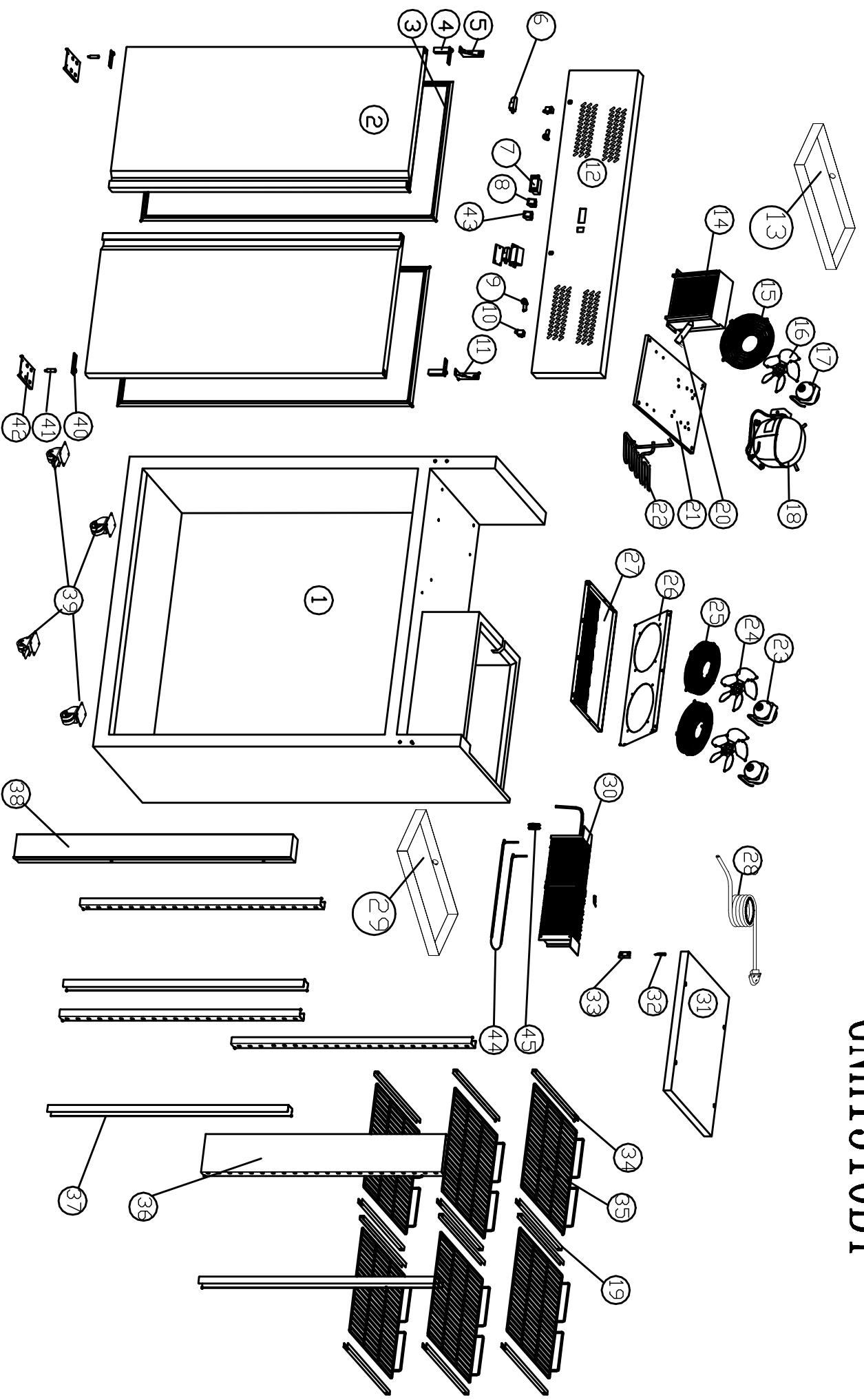


GNH1310BT



GNH1410BT SPARE PARTS LIST

	CODE	CODE L2G	Name	Désignation	DESCRIPTION	UNIT	QTY	REMARK
1	SKC-0-000-0677-0	#N/A	body	CORPS		SET	1	
2	SKC-0-000-0005-0	GN650TN.11	door	PORTE		SET	2	
3	SKC-2-110-0037-0	GN650TN.13N	gasket	JOINT DE PORTE	PVC	PC	2	
4	SKC-2-160-0600-0	#N/A	door spring	RESSORT DE PORTE		PC	2	
5	SKC-2-001-1056-0	GN650TN.15	top hinge left	CHARNIERE HAUTE GAUCHE	201#	PC	1	
6	SKC-4-050-0056-0	GN650TN.02	LED LIGHT	LED		PC	2	
7	SKC-4-030-0018-0	GN650BT.16	thermostat	THERMOSTAT	DIXELL 06	PC	1	
8	SKC-4-050-0001-0	GE800BT-6	main switch	BOUTON M/A		PC	1	
9	SKC-2-170-0081-0	GN1200TN.07	lock	SERRURE		PC	2	
10	SKC-4-050-0005-0	GN1200TN.06	door switch	BOUTON DE PORTE		PC	1	
11	SKC-2-001-0153-0	GN1200TN.05	UP HINGE/RIGHT	CHARNIERE HAUTE DROITE	201#	PC	1	
12	SKC-2-002-0756-0	#N/A	front panel	PANNEAU FRONTAL	201#	PC	1	
13	SKC-0-000-0068-0	#N/A	Outer water pan	BAC A EAU		PC	1	
14	SKC-2-102-0052-0	PGN1410BT.06	condensor	CONDENSEUR		PC	1	
15	SKC-2-120-0041-0	#N/A	BASKET GUARD GRILLES	GRILLE DE PROTECTION DU VENTILATEUR DE CONDENSEUR		PC	1	
16	SKC-2-105-0001-0	#N/A	fan blade	HELICE DU VENTILATEUR DE CONDENSEUR		PC	1	
17	SKC-4-001-0004-0	GN650TN.34	motor	MOTEUR	EBM 7w	PC	2	
18	SKC-4-040-0111-0	PGN1410BT.03	compressor	COMPRESSEUR	SCOPE	PC	1	
19	SKC-2-001-1027-0	GN650TN.52.1	GUIDE RIGHT	GLISSIERE DROITE	201#	PC	6	
20	SKC-2-103-0001-0	GN1200TN.19	dry filter	DESHYDRATEUR		PC	1	
21	SKC-2-002-0896-0	#N/A	unit board	SUPPORT GROUPE		PC	1	
22	SKC-2-104-0237-0	#N/A	hot pipe	TUYAU CHAUD		PC	1	
23	SKC-4-001-0003-0	GN1200TN.16	motor	MOTEUR	EBM 10w	PC	2	
24	SKC-2-105-0002-0	GN1200TN.15	fan blade	HELICE DE VENTILATEUR		PC	2	
25	SKC-2-120-0042-0	#N/A	fan grill	GRILLE DE VENTILATEUR		PC	2	
26	SKC-2-002-2009-0	#N/A	fan support	SUPPORT VENTILATEUR	201#	PC	1	
27	SKC-2-002-0811-0	#N/A	fan cover	CACHE VENTILATEUR	201#	PC	1	
30	SKC-4-010-0080-0	#N/A	power core	CABLE ALIMENTATION ELECTRIQUE	EU	PC	1	
29	SKC-0-000-0218-0	#N/A	inner water pan	BAC A EAU		PC	1	
30	SKC-2-101-0112-0	PGN1410BT.08	evaporator	EVAPORATEUR		PC	1	
31	SKC-0-000-0065-0	#N/A	top	DESSUS		PC	1	

GNH1410BT SPARE PARTS LIST

	CODE	CODE L2G	Name	Désignation	DESCRIPTION	UNIT	QTY	REMARK
32	SKC-4-030-0005-0	#N/A	probe	SONDE		PC	2	
33	SKC-2-002-0036-0	BBT350L.50	probe seat	SUPPORT DE SONDE		PC	1	
34	SKC-2-002-0918-0	GN650TN.52.1	GUIDE LEFT	GLISSIERE GAUCHE	201#	PC	6	
35	SKC-2-120-0001-0	GN1410BT.22.01	shelf	ETAGERE		PC	6	
36	SKC-2-001-0051-0	#N/A	shelf support	MONTANT VERTICAL CENTRAL ARRIERE	201#	PC	6	
37	SKC-2-002-0097-0	#N/A	shelf support back	MONTANT VERTICAL	201#	PC	1	
38	SKC-0-000-0019-0	#N/A	mullion	MONTANT CENTRAL AVANT		SET	1	
39	SKC-2-140-0005-0	#N/A	castor with brake	ROULETTE AVEC FREIN		PC	2	
	SKC-2-140-0004-0	#N/A	castor without brake	ROULETTE SANS FREIN		PC	2	
40	SKC-2-110-0353-0	GN1200TN.43	shaft sleeve	MANCHON		PC	2	
41	SKC-2-170-0211-0	BBT350L.31	hinge axis	AXE DE CHARNIERE	304#	PC	2	
42	SKC-2-001-0385-0	GN1200TN.45	DOWN HINGE/RIGHT	CHARNIERE BASSE DROITE	201#	PC	2	
43	SKC-4-050-0009-0	#N/A	defrost indicator	INDICATEUR DE DEGIVRAGE		PC	1	
44	SKC-4-020-0120-0	#N/A	heater	RESISTANCE		PC	1	
45	SKC-4-060-0001-0	#N/A	overheat protector	PROTECTION THERMIQUE		PC	1	